

# VERTICAL CARTONER

## Model: VL1-5

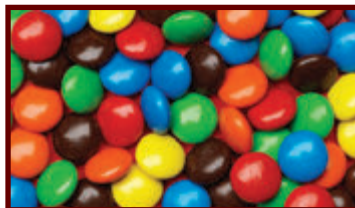
The VL1-5 is a high-speed, all-servo design vertical top-load cartoner. It's ideal for small cartons of loose-fill product such as candy, vitamins and some powdered products. A flexible design offers easy integration with various filling machines including volumetric fillers and augers. The compact design offers a small footprint saving valuable floor space in your facility. Changeovers are quick and easy via tee slot carton pockets. User-friendly controls from Rockwell Automation are standard.

**VARIOUS MODELS AVAILABLE**



### MARKETS SERVED

Candy & Confectionary



Pharmaceutical & Nutritional



Powders & Granular



# VERTICAL CARTONER

## STANDARD FEATURES

- Volumetric filler with no-carton / no-fill control
- Various product filling capabilities
- Vibrating carton fixtures eliminate product bridging
- Power carton supply magazine with low-level indicator
- High-speed rotary carton feeder with multiple vacuum heads
- No-carton / skip-load and no-product / skip-carton control
- Overload protection
- Heavy-duty welded steel base frame and drive
- Allen-Bradley PLC with PV1000 touchscreen HMI
- Spindle adjustments for quick changeovers
- Quick-change tee slot carton pocket slides with dovetail clamp
- Enclosed gear drives
- Central lube
- Multi-axis servo driven
- Full-length interlocked, stainless barrier guard doors with Lexan panels
- Nordson hot melt glue system
- Category 3 safety compliant

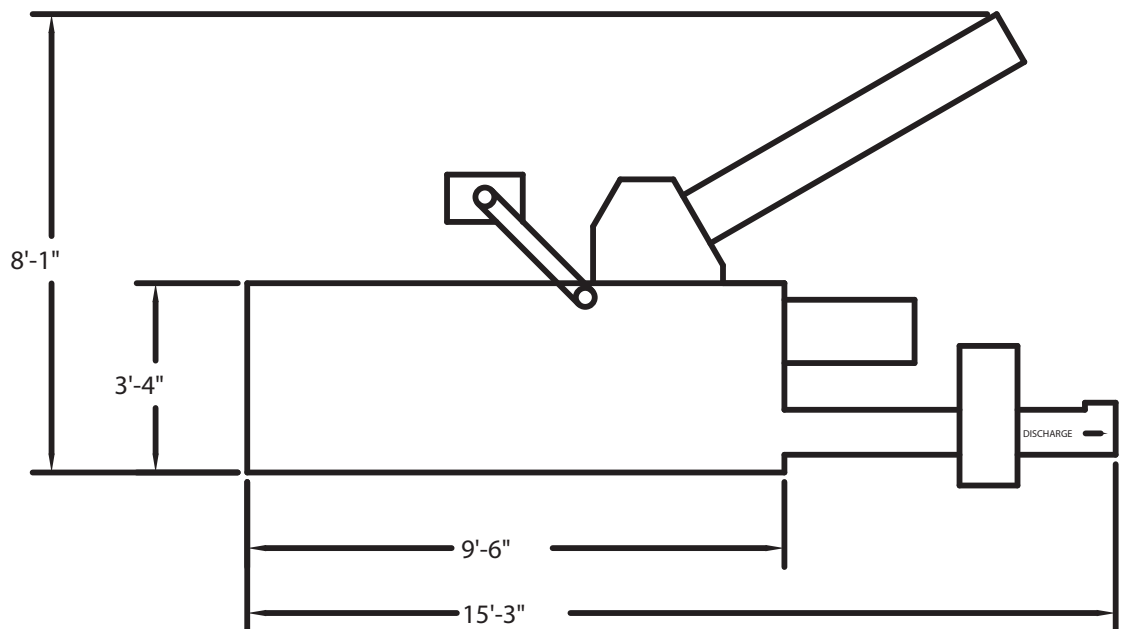
## OPTIONS

- Stainless steel washdown
- Integrated code daters
- Multiple filling options

## SPECIFICATIONS

- Speeds: Up to 350 cartons/min
- Carton Min Size: 2" x 0.75" x 4.5"
- Carton Max Size: 4" x 3" x 8"
- Power: 480V / 60A / 3PH
- Air: 60 PSI @ 100CFM

## SAMPLE LAYOUT



Scan to learn more  
& watch video

PMI KYOTO Packaging Systems • 850 Pratt Blvd, Elk Grove Village, IL 60007  
847-437-1427 • sales@pmikyoto.com • www.pmikyoto.com

